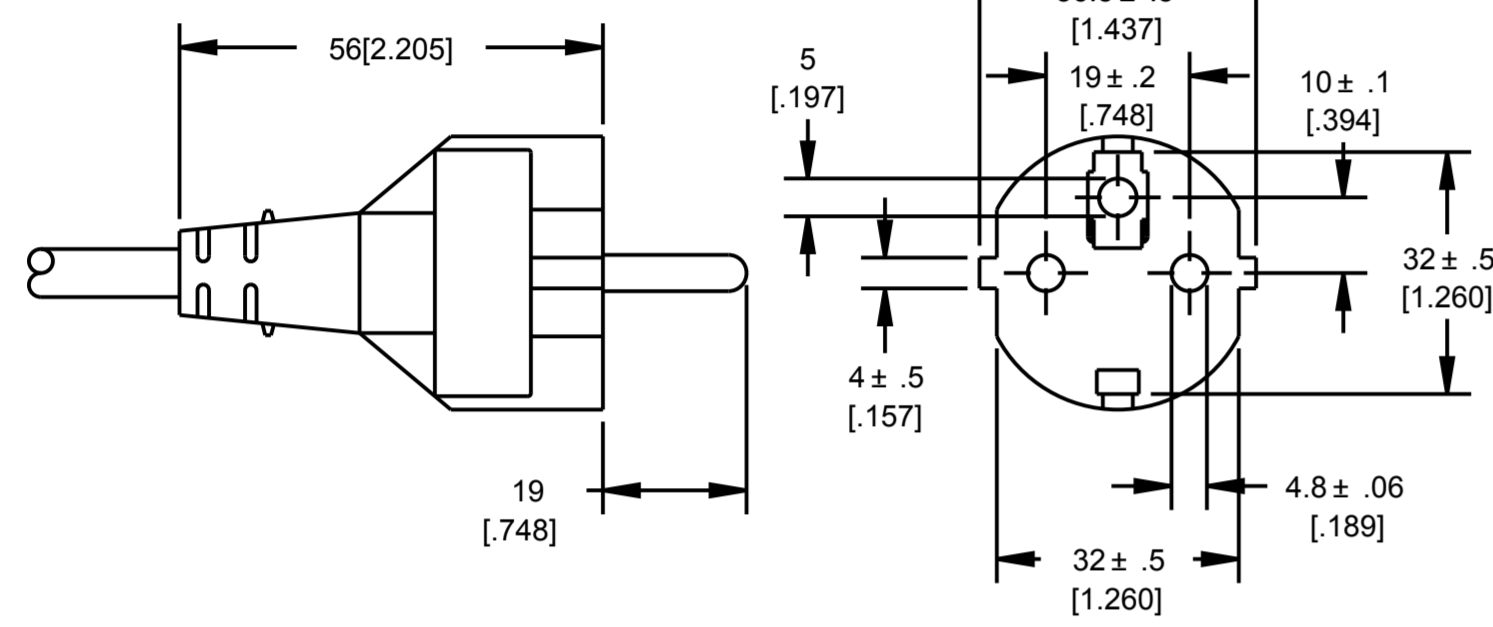
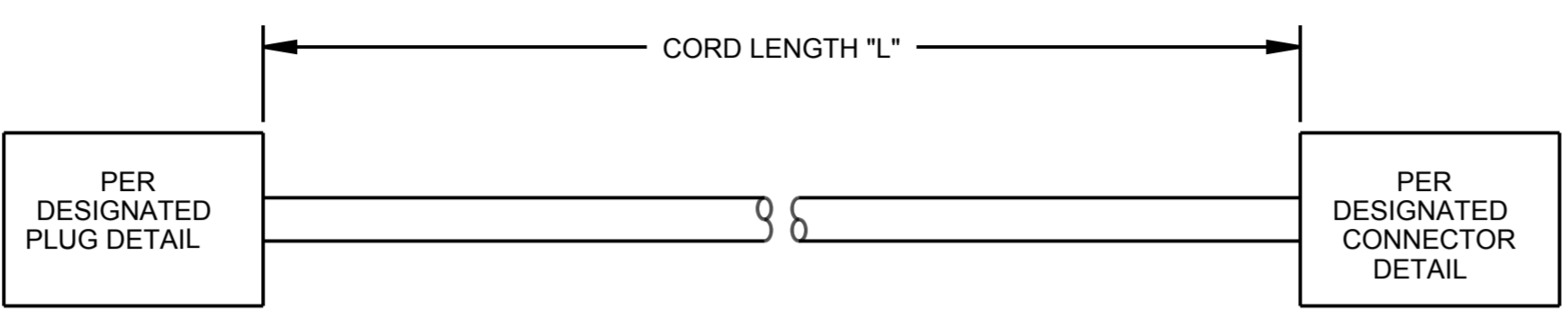


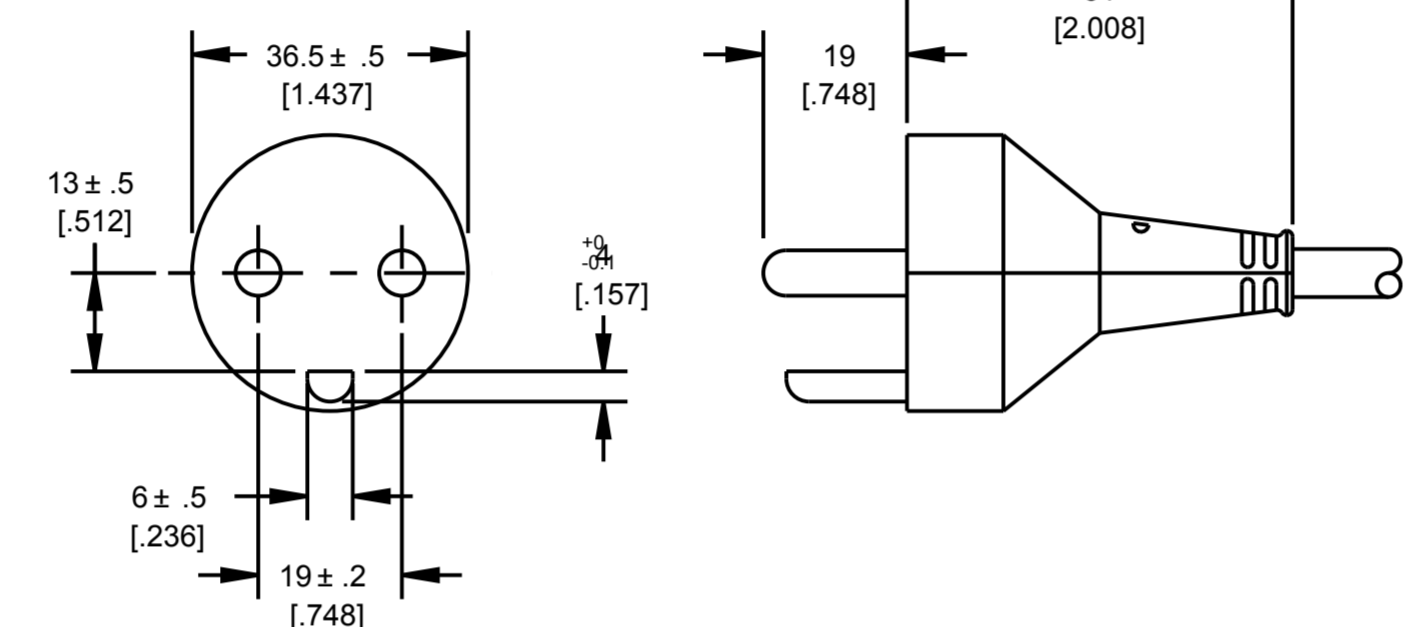
PART NUMBER	P/N REV.	PLUG DETAIL	CONNECTOR DETAIL	CORD LENGTH "L" METERS	VENDOR P/N	APPROVALS	COLOR
030401-001	E	A	X OR Z	2.5± .1[98.4]	86511052	VDE, NEMKO, SEMKO	BLACK
030401-002	E	B	X OR Z	2.5± .1[98.4]	86552007	ASTA	BLACK
030401-003	E	C	X OR Z	2.5± .1[98.4]	86515050	SEV	BLACK
030401-004	E	D	X OR Z	2.5± .1[98.4]	86558011	-	BLACK
030401-005	E	E	X OR Z	2.5± .1[98.4]	86536041	DEMKO	BLACK
030401-006	E	F	Y OR Z	2.5± .1[98.4]	86516035	SECV	BLACK
030401-007	E	G	X OR Z	2.5± .1[98.4]	86559011	-	BLACK
030401-008	E	H	X OR Z	2.5± .1[98.4]	86531031	IMQ	BLACK
030401-009	E	J	Y OR Z	2.5± .1[98.4]	-	-	BLACK
030401-010	G	B	X OR Z	2.5± .1[98.4]	-	ASTA OR BSI	BLACK
030401-011	F	A	X OR Z	2.5± .1[98.4]	-	VDE	BLACK
030401-012	E	M	X OR Z	2.0± .1[78.7]	-	-	BLACK
030401-013	E	N	X OR Z	2.5± .1[98.4]	86589030	DENTORI, JIS	BLACK
030401-014	-	-	-	-	-	-	-
030401-015	G	O	X OR Z	2.0± .1[78.7]	-	-	BLACK
030401-016	G	P	X OR Z	2.0± .1[78.7]	-	-	BLACK
030401-017	H	A	X OR Z	2.5± .1[98.4]	-	VDE	WHITE

CORDAGE SPECIFICATIONS
MATERIAL: OUTER JACKET IS PVC
TEMPERATURE RATING: -15° C MIN. TO +60° C MAX.
WIRING CODE: BROWN=LINE, BLUE=NEUTRAL, GREEN/YELLOW=GROUND
CONDUCTOR SIZE: 3 X 1.00MM (CLOSEST AWG EQUIV.: 16 AWG AT 1.23MM)
O.D.: 7.0MM (6.8-8.4MM)
TYPICAL STRANDING: 32 STRANDS/0.21MM O.D.
MAX CURRENT RATING: 10 AMPS

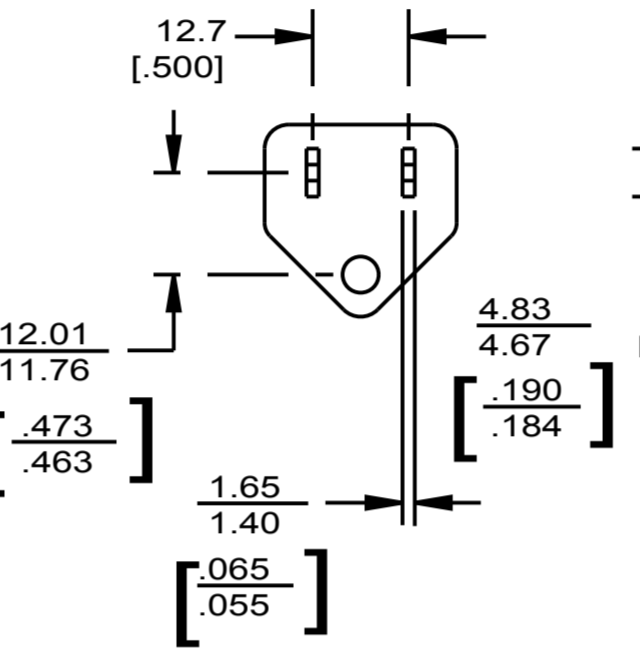
NOTE:
1. THE FOLLOWING INFORMATION MUST APPEAR ON SHIPPING CONTAINER:
A. -OASIS PART NO.
B. -OASIS PURCHASE ORDER NO.
C. -VENDOR'S NAME.
D. -QUANTITY IN CONTAINER.
2. VENDOR: PANEL COMPONENTS CORP.



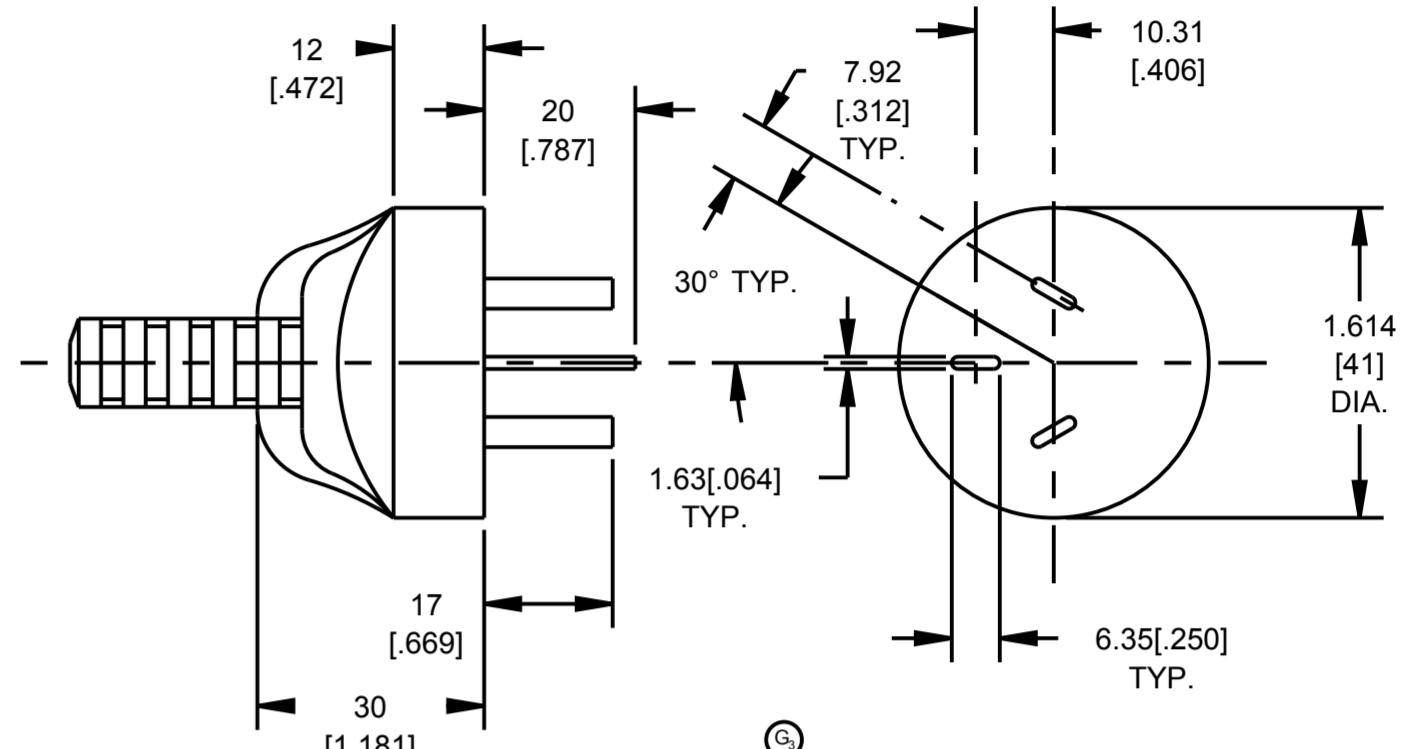
PLUG DETAIL A
(CONTINENTAL EUROPEAN)



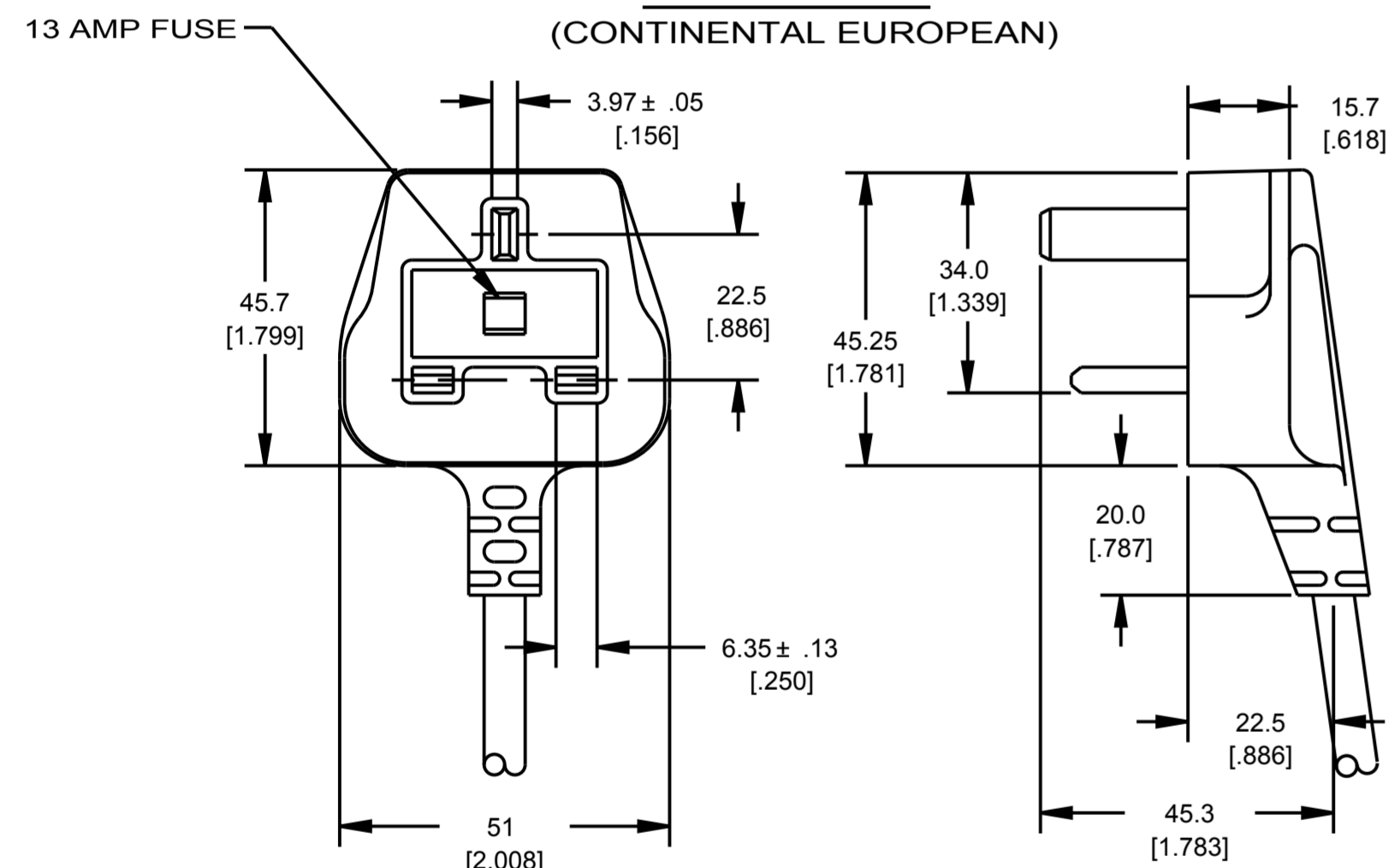
PLUG DETAIL E
(DANISH)



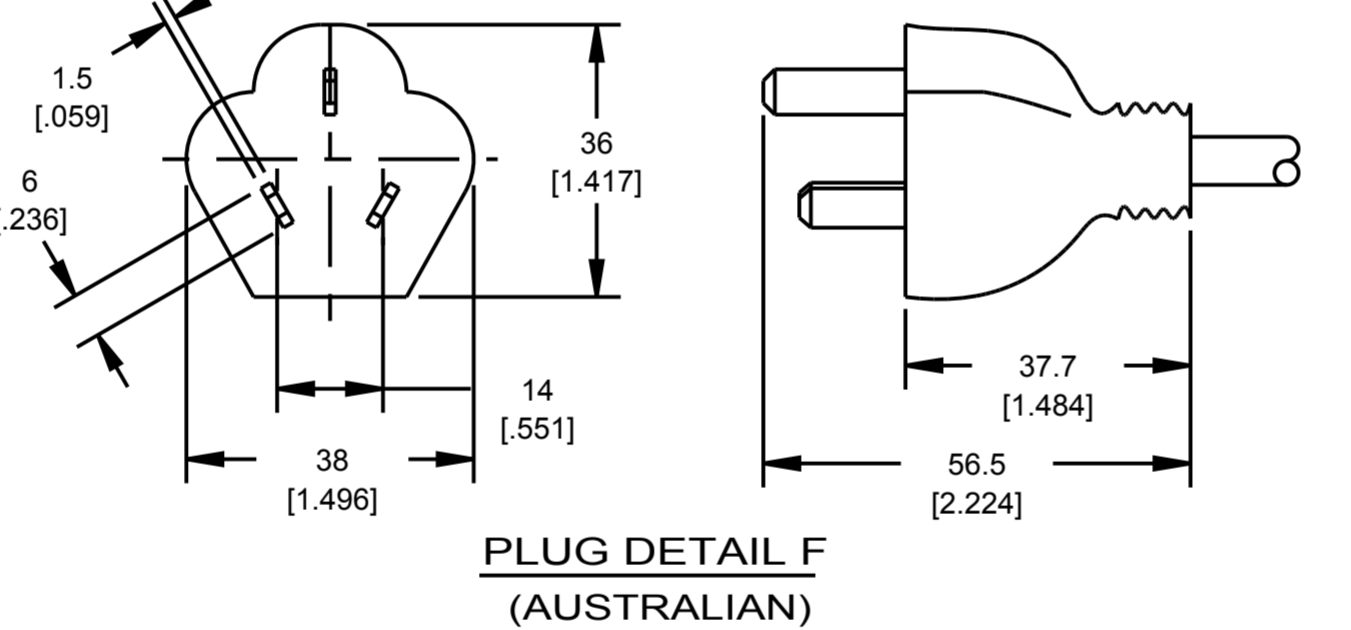
PLUG DETAIL J
(SAUDI ARABIA)



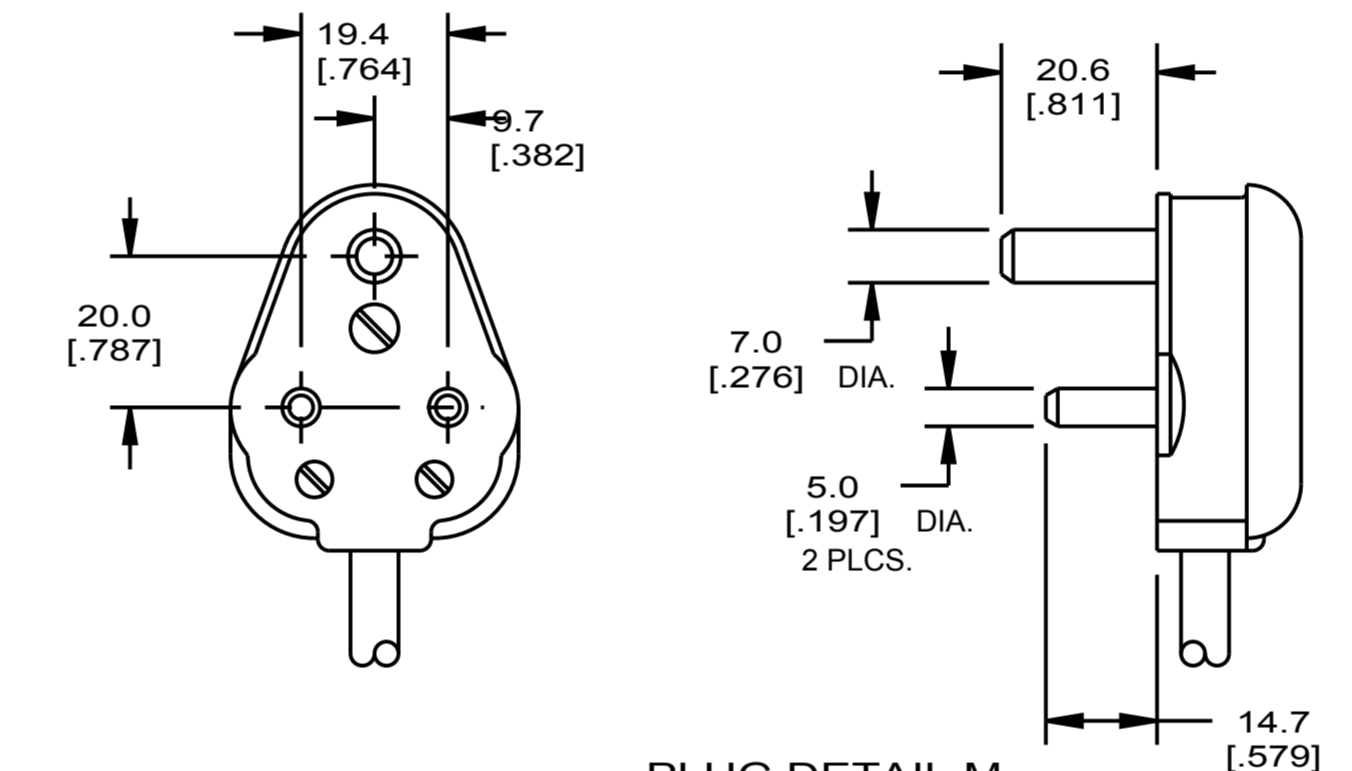
PLUG DETAIL P
(ARGENTINIAN)



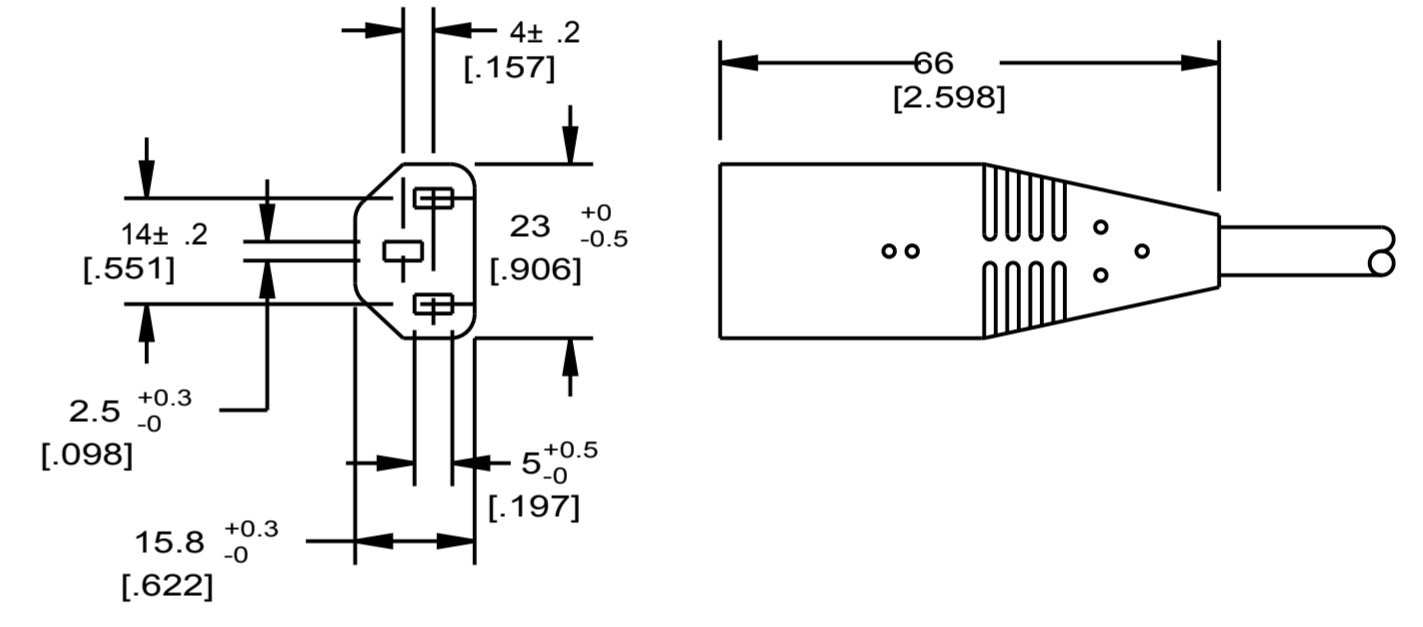
PLUG DETAIL B
(BRITISH)



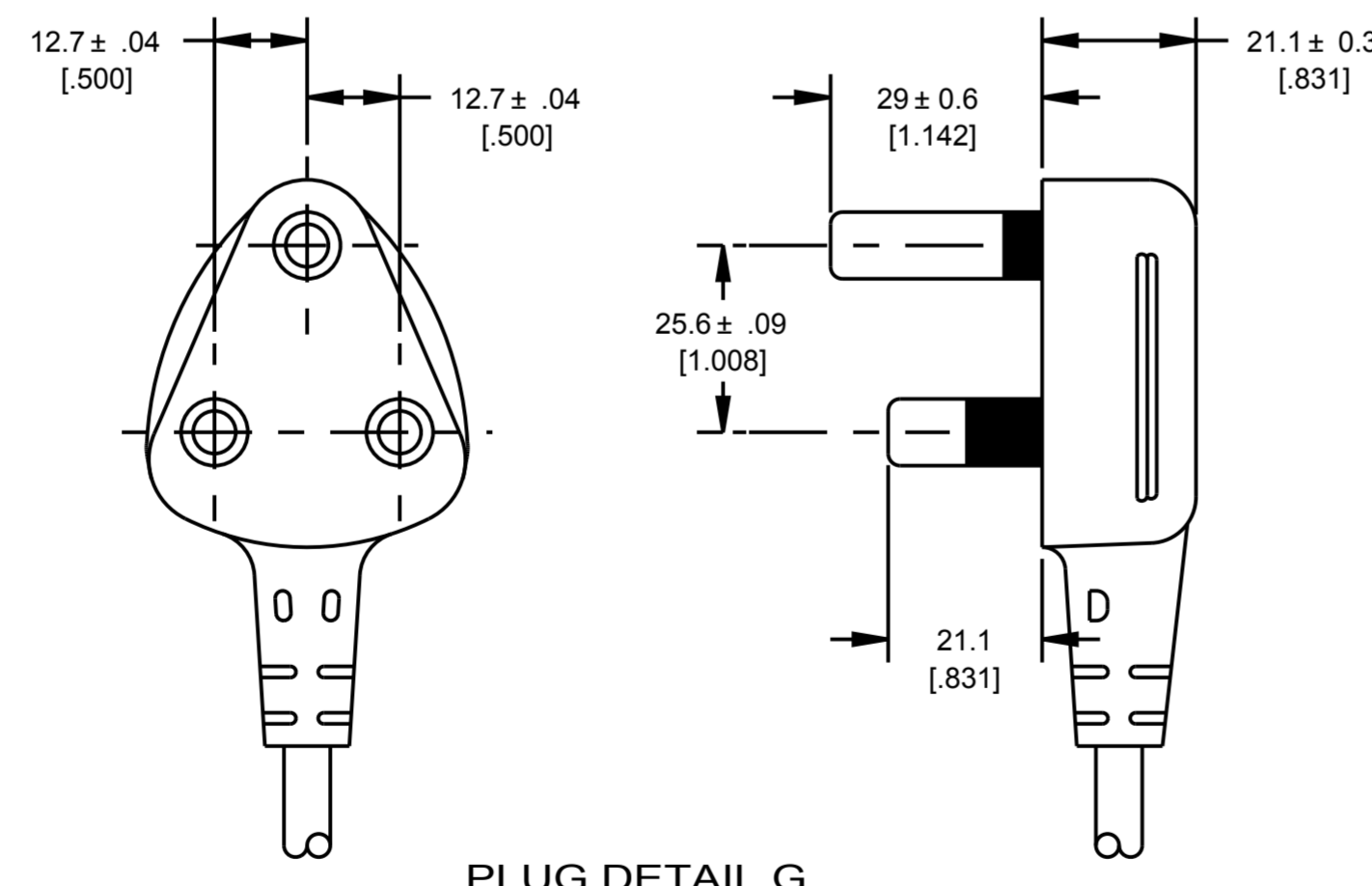
PLUG DETAIL F
(AUSTRALIAN)



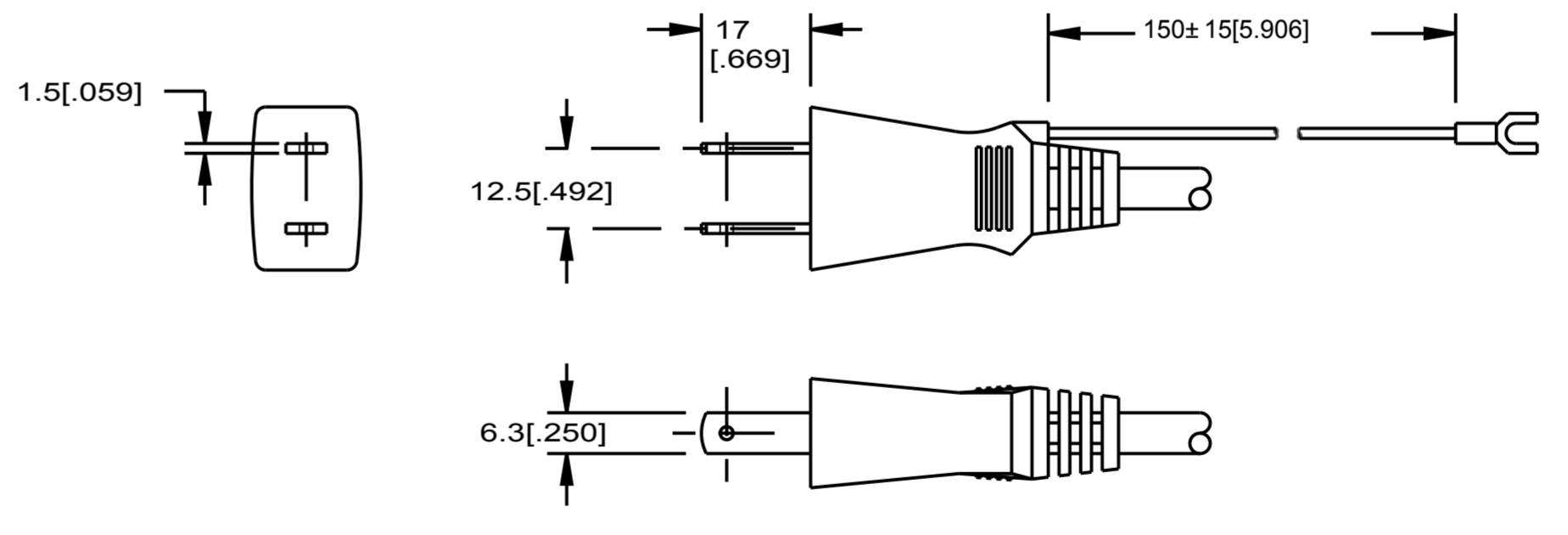
PLUG DETAIL M
(SRI-LANKA)



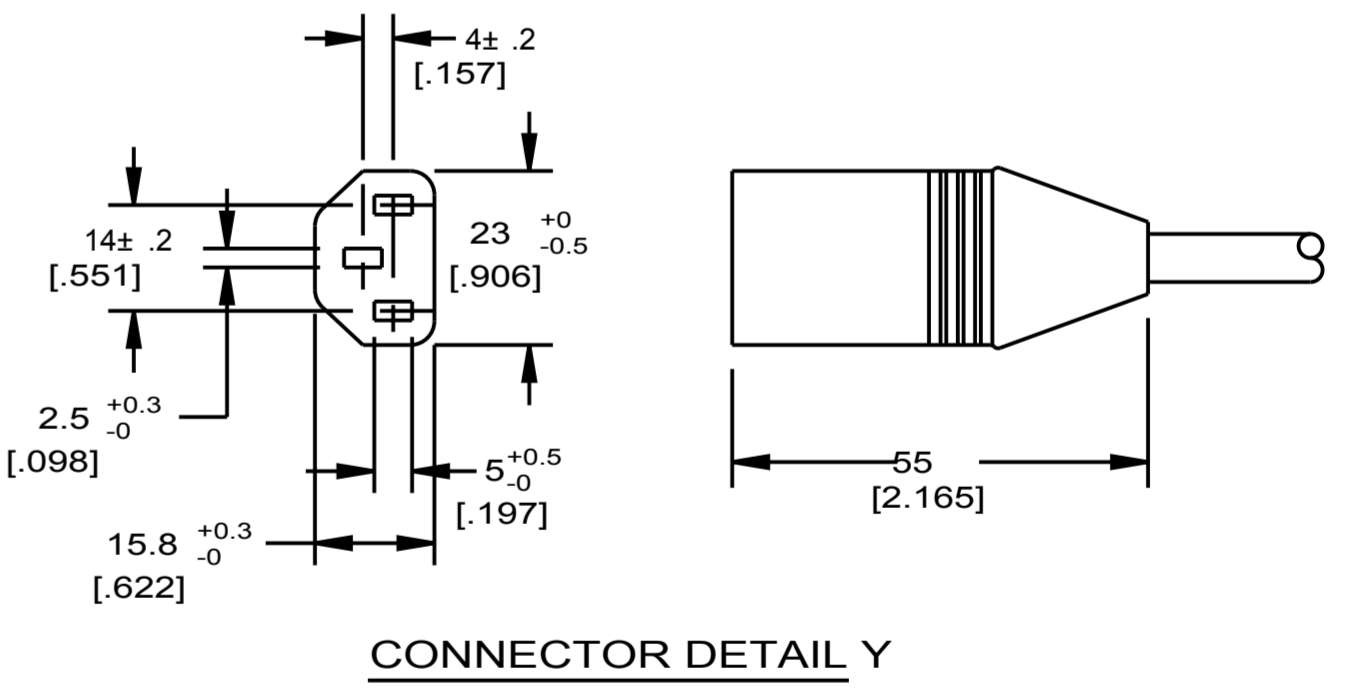
CONNECTOR DETAIL X



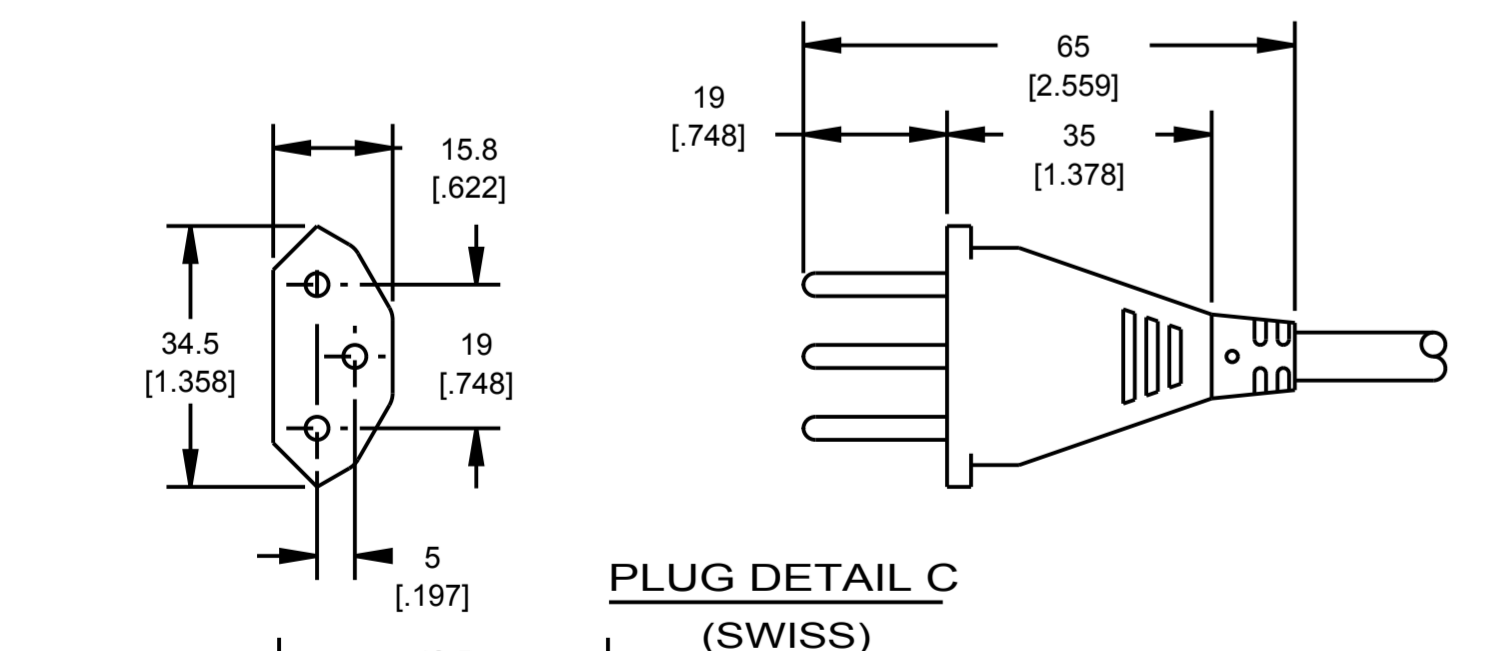
PLUG DETAIL G
(INDIAN)



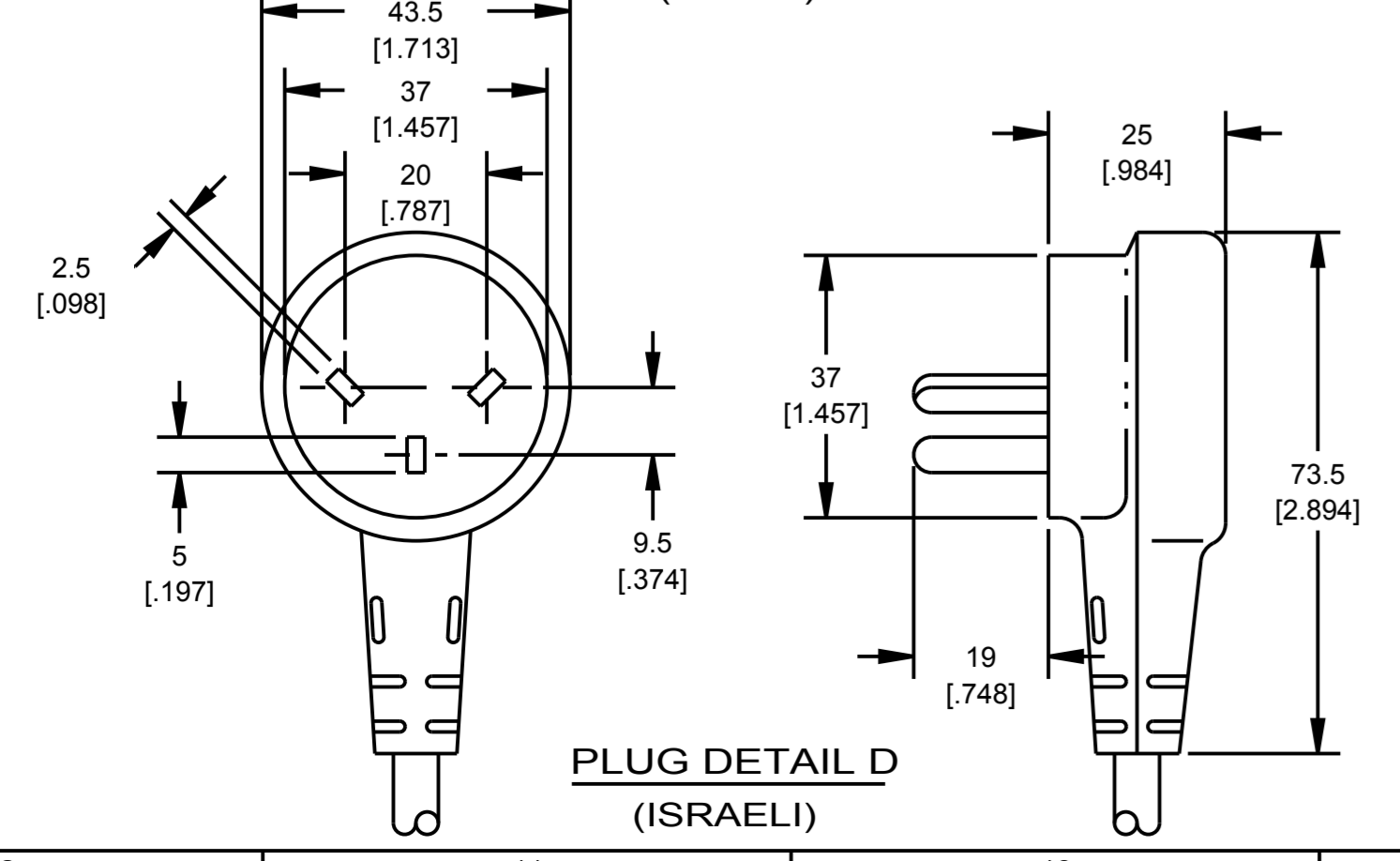
PLUG DETAIL N
(JAPAN)



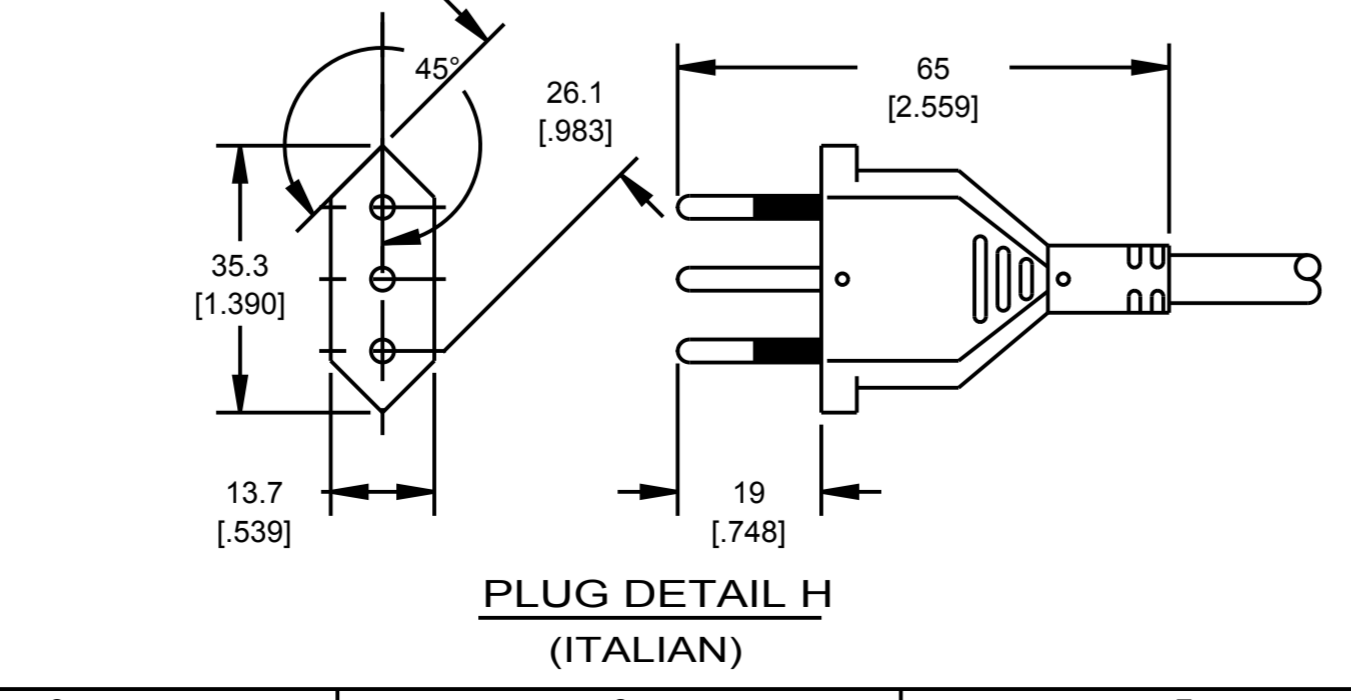
CONNECTOR DETAIL Y



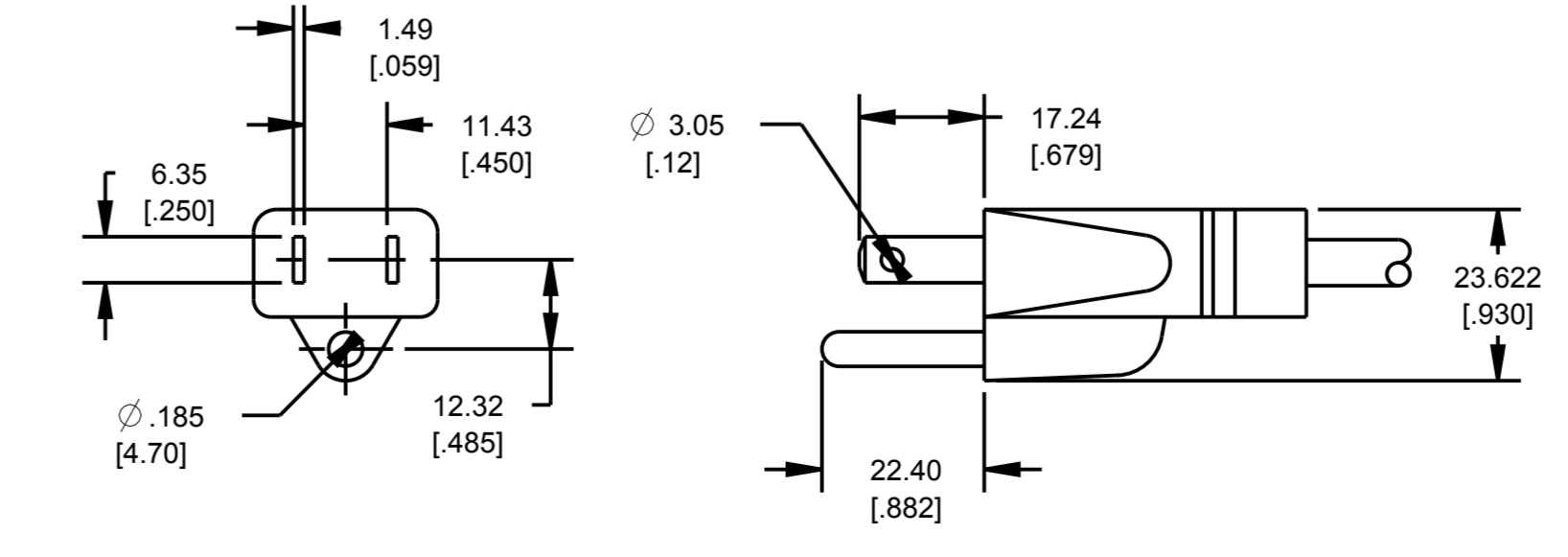
PLUG DETAIL C
(SWISS)



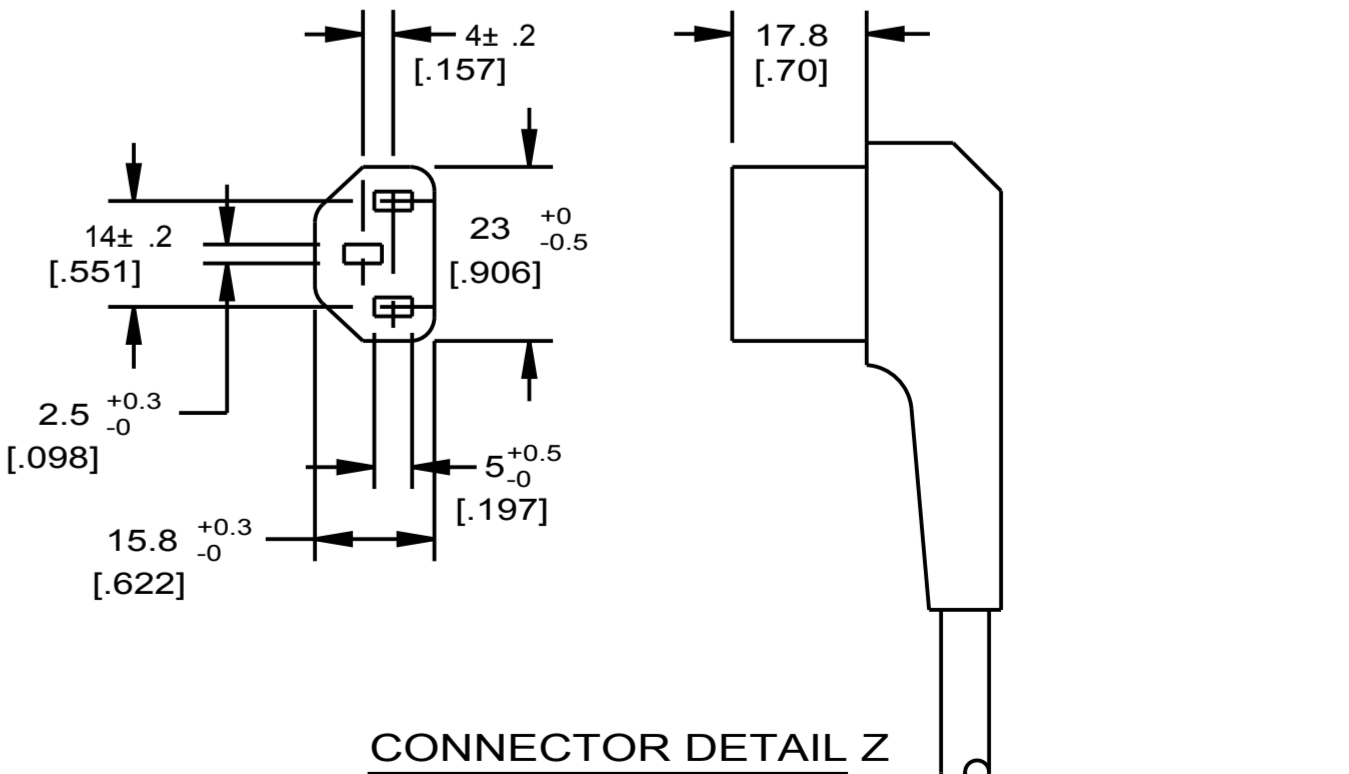
PLUG DETAIL D
(ISRAELI)



PLUG DETAIL H
(ITALIAN)



PLUG DETAIL O
(USA)



CONNECTOR DETAIL Z

030401	RM	-	FINISH	-	PRODUCT ENGINEERING	
	MAT'L SIZE	CALCULATED	-	-	OASIS CORPORATION	
	MATERIAL	ACTUAL/SHOP	-	-	265 N. Hamilton Road	
					P.O. Box 13150	
					Columbus, OH 43213-0150 U.S.A.	
					UNLESS OTHERWISE SPECIFIED	
					DIMENSIONS ARE IN MILLIMETERS (INCHES)	
					TOLERANCES	
					DECIMALS .XX	
					FRACTIONS 1/16, 1/8, 1/4, 3/8, 1/2	
					ANGLES ± 1/2°	
					THIRD ANGLE PROJECTION	
					SCALE FULL	
					RELEASE FROM 910004	
					DRAWN DATE	
					CHECKED DLJ 3-15-91	
					APPROVED BF 3-22-91	
					SHEET 030401	